

NKX20-XL

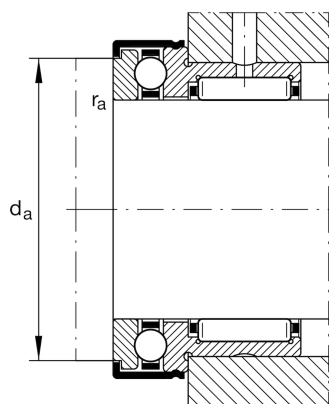
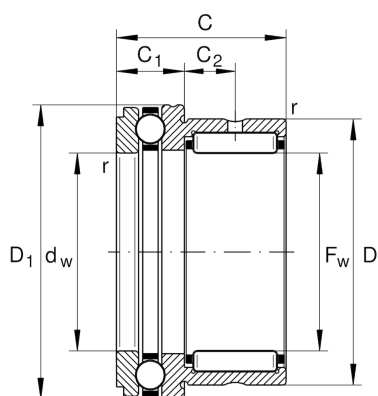
Needle roller/axial ball bearing

Schaeffler ID:
0506047670000

Needle roller/axial ball bearings NKX, axial component, single direction, to DIN 5429, without end cap, for oil lubrication

X-life

Technical information



Main Dimensions & Performance Data

F_w	20 mm	Bore diameter
D	30 mm	Outside diameter
C	30 mm	Height
C_r	18,600 N	Basic dynamic load rating, radial
C_{0r}	23,800 N	Basic static load rating, radial
C_a	14,200 N	Basic dynamic load rating, axial
C_{0a}	24,700 N	Basic static load rating, axial
C_{ur}	4,200 N	Fatigue load limit, radial
C_{ua}	1,220 N	Fatigue load limit, axial
n_G	7,500 1/min	Limiting speed
	80.53 g	Weight

Dimensions

$D_{1\max}$	35.1 mm	Maximum outside diameter flange
	IR17X20X20-XL	Suitable inner rings IR
$D_{2\max}$	35.1 mm	Maximum outside diameter flange
C_1	10 mm	Width of the axial bearing component
C_1	10.5 mm	Distance to lubrication hole
C_2	10.5 mm	Distance to lubrication hole
d_w	20 mm	Bore diameter of shaft washer
r_{\min}	0.3 mm	Minimum chamfer dimension

Mounting dimensions

d_a	30.7 mm	Mounting dimension shaft shoulder
$r_{a\max}$	0.3 mm	Maximum recess radius

Temperature range

T_{\min}	-30 °C	Operating temperature min.
T_{\max}	120 °C	Operating temperature max.